

Classic Eco

ART.NO. 121010, 121011, 121012, 121013, 121014, 121046, 121047



Classic Eco

Bathroom fan with low noise, low energy consumption and high capacity. Ball bearings for long life.

- Low noise
- High airflow
- Low energy consumption
- Integrated backdraft shutter
- Can be installed in zone 1 in wetrooms

art.no.		NOBB	GTIN	Diam.	Colour
121010	Classic Eco 100 STD, white	60133158	7023671210106	Ø100	
121011	Classic Eco 100 TH, white	60133159	7023671210113	Ø100	
121012	Classic Eco 100 P, white	60133160	7023671210120	Ø100	
121013	Classic Eco 125 STD, white	60133161	7023671210137	Ø125	
121014	Classic Eco 125 TH, white	60133162	7023671210144	Ø125	
121046	Classic Eco 100 STD, black	60137692	7023671210465	Ø100	RAL 9005
121047	Classic Eco 100 TH, black	60137690	7023671210472	Ø100	RAL 9005

Variants

Standard

Standard fan that is started/stopped with a separate switch.

TH

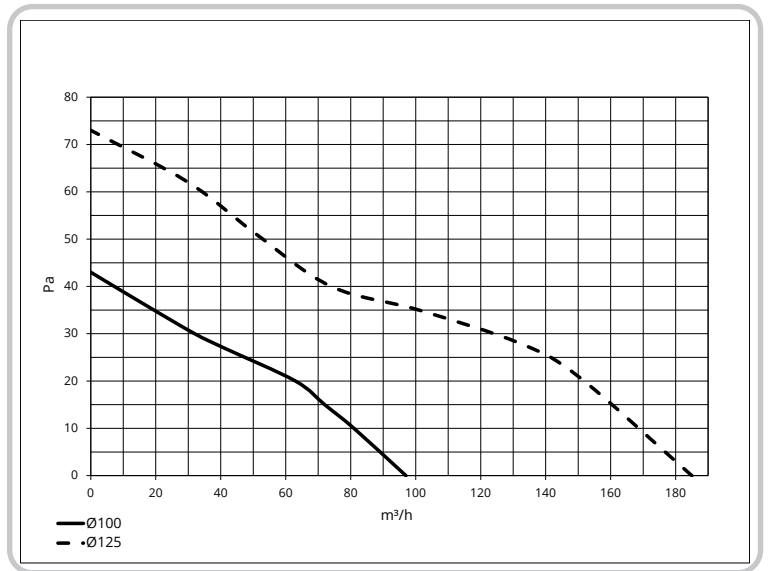
The fan is controlled by both a humidity sensor and a timer. The humidity sensor starts the fan at the set humidity level. The timer controls the after-run time after the moisture has been ventilated out. The timer also starts the fan when the power is turned on and for how long the fan runs after the power is turned off, regardless of the humidity level. The after-run time can be adjusted between 2-30 minutes. The humidity sensor can be adjusted between 60-90% RH.

P

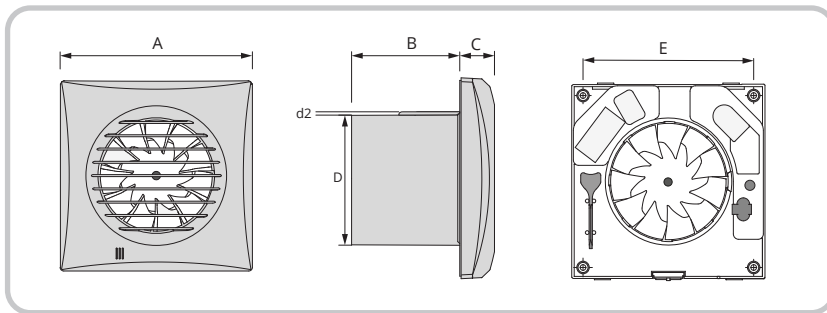
The fans are started and stopped with a built-in switch with a pull cord.

Technical data

Ø 100 mm	Ø 125 mm
97 m³/h	185 m³/h
43 Pa	73 Pa
25 dB(A) 3 m	32 dB(A) 3 m
7,5 W	17 W
220-240V-50Hz	220-240V-50Hz
IP 45	IP 45



Dimensioned drawing



	A	B	C	D	d2	E
Ø100 mm	158	81	26	99	2	136
Ø125 mm	182	91	27	124	2	158

Connection diagram

